

AUSTRALIA



# Heavy Duty Full Stainless Steel Pressure Gauges

Our Range of full Stainless Steel Pressure Gauges

offers superior quality & reliability & are ideally suited for harsh conditions & the resulting high demands on pressure measurement in process industries, Mining, & other comparable areas



## Our range of full Stainless Steel pressure gauges offers superior quality and reliability

Suitable for corrosive applications where the medium will not attack stainless steel. Ideally suited to harsh environmental conditions, due to the all stainless steel construction, which can be supplied dry or if protection is required against pulsation and or vibration these gauges can be supplied liquid filled. An ideal solution for any harsh environment pressure measurement application

### Features

- Supplied Dry or Liquid Filled
- Nominal sizes (mm) 63,100,160
- Full Stainless Steel Wetted Parts
- Can be combined with diaphragm seals
- IP65 Degree of protection
- Highly Accurate
- Superior resistance to Shock

### Applications

- Hydraulic & Pneumatic Systems
- Food & Beverage
- OEM Equipment
- Mining
- Oil & Gas
- Power Generation
- Pumps & Compressors
- Heating & Air Conditioning
- Chemical / Petrochemical
- Marine



### Specifications

#### Range

- -100 kPa to 100,000 kPa
- Single Scale kPa as Standard
- Can supply with Other Scales, Dual Scales, Custom Logo

#### Dial

- White face with black printing
- Individual serial number for traceability

#### Case

- Stainless steel AISI-304; IP-65 if Liquid Filled
- Bayonet ring: polished stainless steel AISI-304

#### Window

- Laminated safety glass

#### Temperature Range

- Ambient: -20°C ... +60°C (dry)
- Process: +100°C maximum

#### Movement

- Stainless steel AISI-304 with min. needle stop

#### Measuring Element

- Bourdon tube, Stainless Steel AISI-316L

#### Accuracy

- $\pm 1.0\%$  of full scale (NS 100 & 160mm)
- $\pm 1.6\%$  of full scale (NS 63mm)

#### Neck/Thread

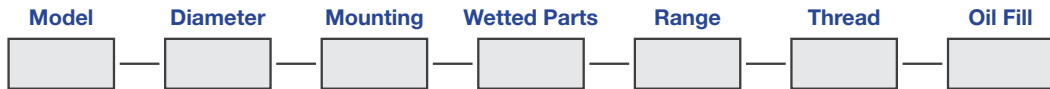
- 1/4 BSPT Male / Stainless steel AISI-316L (NS - 63mm)
  - 3/8 BSPT Male / Stainless steel AISI-316L (NS - 100mm)
  - 1/2 NPT Male / Stainless steel AISI-316L (NS - 100mm)
  - 1/2 BSPT Male / Stainless steel AISI-316L (NS - 160mm)
- Includes internal thread to mount restrictor screw for pulsation dampening

#### Pointer

- Aluminum, black

## Product Selection Data

Choose your product specifications and options below to configure your product



Model	NS	Mounting		Wetted Parts		Range		Thread		Oil Fill
PBX	63	A	Direct mount bottom entry	S	316 Stainless Steel	01	-100 -0 kPa	1/4	1/4 BSPT	OF
	100	C	Direct mount low rear entry			02	-100 -0-60 kPa	3/8	3/8 BSPT	
	160	S	Surface mount bottom entry (Back Flange)			03	-100 -0-150 kPa	1/2	1/2 BSPT	
		P	Panel Mount rear entry ("U" Clamp fixing)			04	-100 -0-300 kPa	1/2N	1/2 NPT	
		F	Flush Mount rear entry ("3" hole fixing front flange)			05	-100 -0-500 kPa			
				06	-100 -0-900 kPa					
				07	-100 -0-1600 kPa					
				08	0 - 60 kPa					
				09	0 - 100 kPa					
				10	0 - 160 kPa					
				11	0 - 250 kPa					
				12	0 - 400 kPa					
				13	0 - 600 kPa					
				14	0 - 800 kPa					
				15	0 - 1000 kPa					
				16	0 - 1600 kPa					
				17	0 - 2500 kPa					
				18	0 - 4000 kPa					
				19	0 - 6000 kPa					
				20	0 - 8000 kPa					
				21	0 - 10000 kPa					
				22	0 - 16000 kPa					
				23	0 - 25000 kPa					
				24	0 - 40000 kPa					
				25	0 - 60000 kPa					
				26	0 - 80000 kPa					
				27	0 - 100000 kPa					
				28	-100 - 0 - 2500 kPa					

### Options/Accessories for Pressure Gauges

- Internal Thread Restrictor
- Red Set Pointer with Adjustment Knob
- Min or Max Pointer with Adjustment
- Single Electrical Contact Rise or Fall
- Double Electrical Contact Rise/Fall or Rise/Rise or Fall/Fall
- Reducers/Adaptors
- Snubbers with Adjustment Screw
- Pigtail or U Syphons
- Perspex Windows

### Customised Gauges

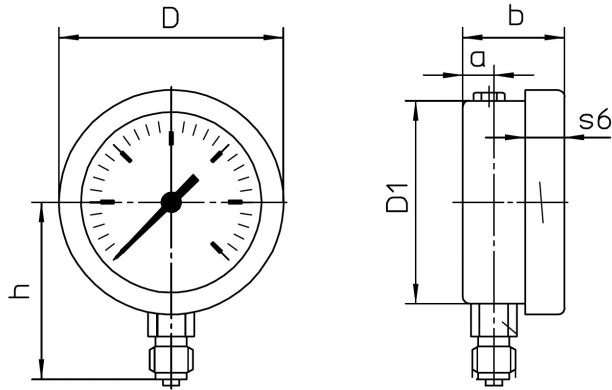
Floyd Australia specialises in customising gauges to customers requirements from special dial markings, red lines, coloured sectors, purpose wording or company logos.

Scales can be offered in units of kPa, PSI (lb/in<sup>2</sup>), bar, mWg, ftWg, inWg, mmWg, inHg, cmHg, mmHg, KG/cm<sup>2</sup>, KN, Ton, Tonne, refrigerant, ammonia, vacuum, dual scale and other.

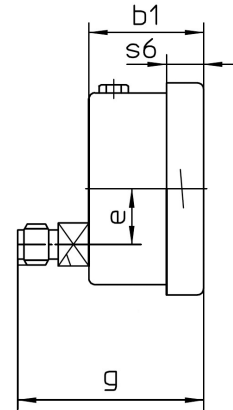
Enquire today to discuss your customised gauge requirements, with one of our friendly Customer Care team members

## Dimensional Data 63mm

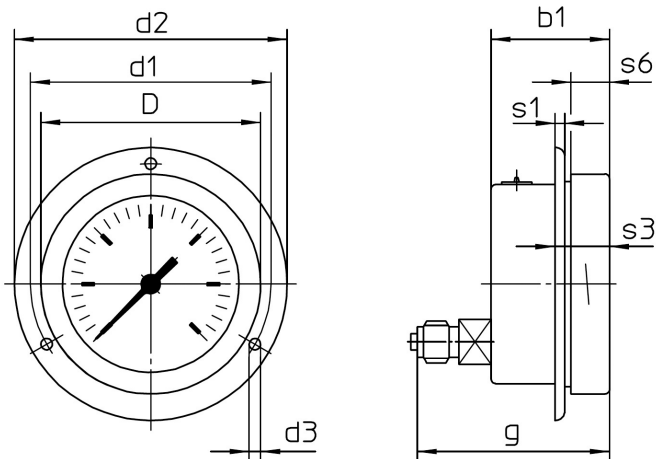
### Direct mount bottom entry



### Direct mount rear entry

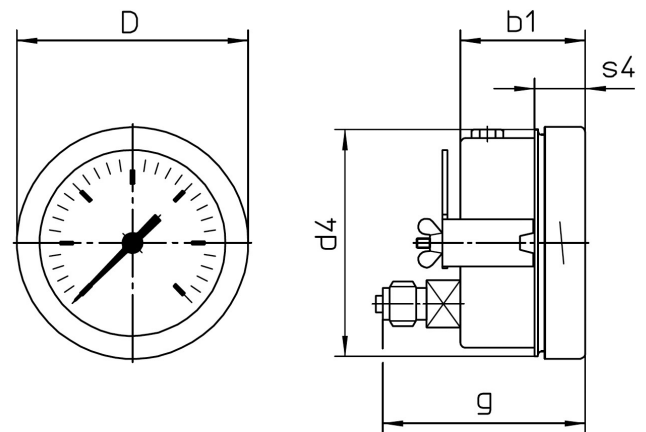


### Flush mount rear entry



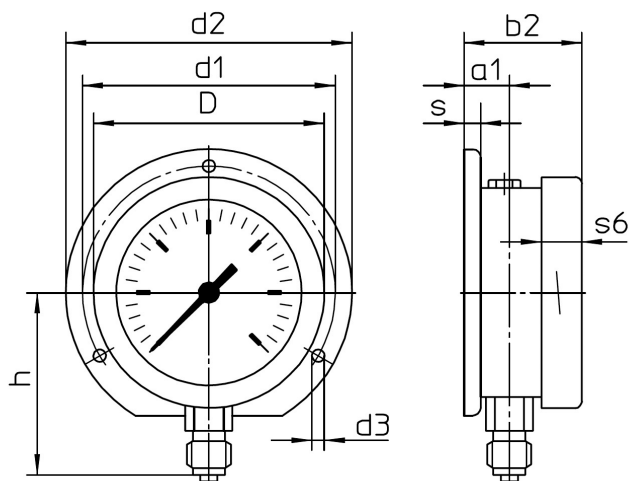
recommended panel cut out  $\varnothing 64 \pm 0.5 \text{ mm (0.02")}$

### Panel mount rear entry



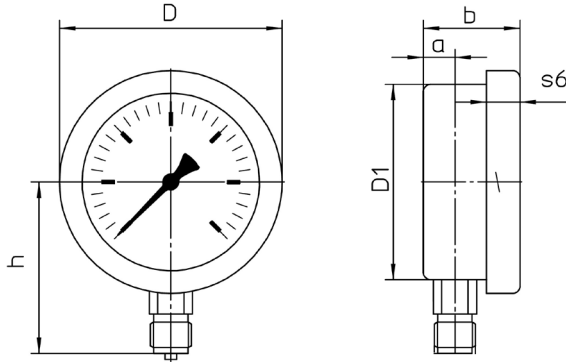
recommended panel cut-out  $\varnothing 64 \pm 0.5 \text{ mm (0.02")}$

### Surface mount bottom entry

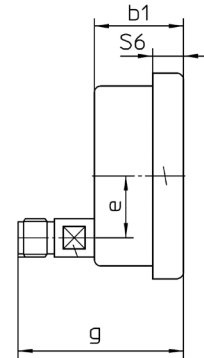


## Dimensional Data 100mm & 160mm

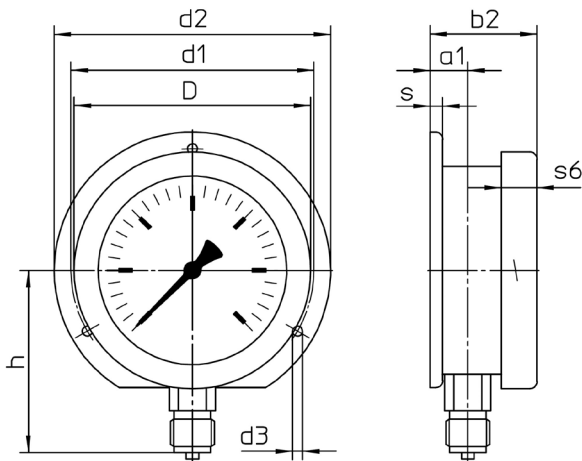
### Direct mount bottom entry



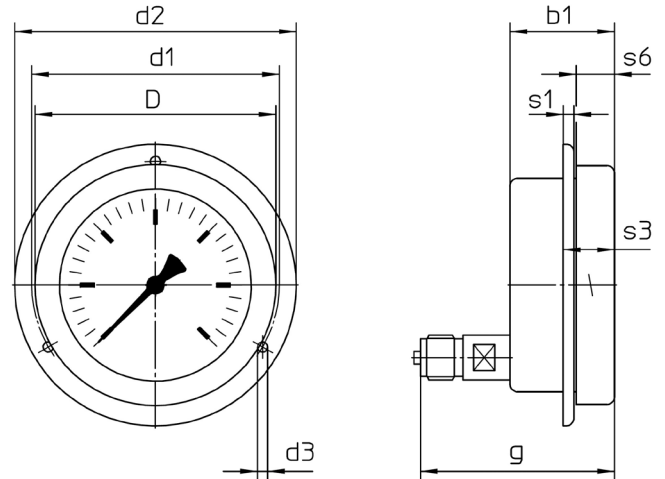
### Direct mount rear entry



### Surface mount bottom entry

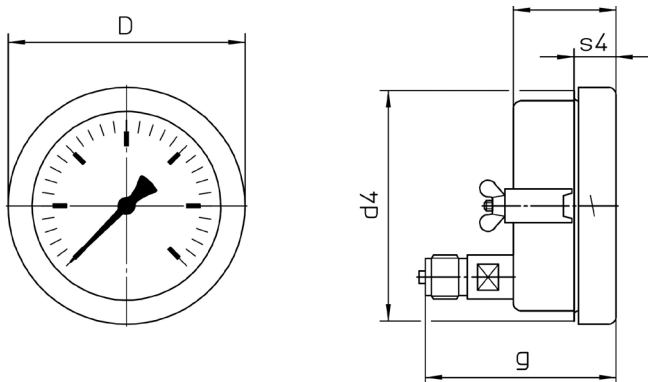


### Flush mount rear entry



recommended panel cut out for NCS 100 (4")  $\varnothing 102 \pm 0.5 \text{ mm}$  (0.02")

### Panel mount rear entry



recommended panel cut out for NCS 100 (4")  $\varnothing 102 \pm 0.5 \text{ mm}$  (0.02")

## Dimensional Data 63mm

Dimensional Data (mm / inches) and Weight (kg / lb)																				
NCS	a	a1	b	b1	b2	D	D1	d1	d2	d3	d4	e	g	h ±1	s	s1	s3	s4	s6	approx weight <sup>1)</sup>
63 2½"	9.5 .37	13.5 .53	31 1.22	37 1.46	35 1.38	68.5 2.7	62 2.44	75 2.95	85 3.35	3.6 .14	67 2.64	18 .71	60 2.36	54 2.13	5 .20	3 .12	17 .67	15 .59	12 .47	0.18 .4

<sup>1)</sup> Information for version without mounting device

## Dimensional Data 100mm

Dimensional Data (mm / inches) and Weight (kg / lb)																				
NCS	a	a1	b	b1	b2	D	D1	d1	d2	d3	d4	e	g	h ±1	s	s1	s3	s4	s6	approx weight <sup>1)</sup>
100 4"	16 .63	18 .71	49 1.93	49 1.93	51 2.01	113 4.45	99 3.9	116 4.57	132 5.2	4.8 .19	110 4.33	34 1.34	91 3.58	87 3.43	6 .24	4 .16	24 .94	20 .79	17 .67	0.55 1.2
160 6"	16 .63	18 .71	50 1.97	50 1.97	52 2.05	173 6.82	159 6.26	178 7.01	196 7.72	5.8 .23	170 6.69	34 1.34	92 3.62	115 4.53	6 .24	3 .12	24 .94	22 .87	19 .75	1.00 2.2

<sup>1)</sup> Information for version without mounting device